

ABB IRB 660 PALLETIZING ROBOT

FLEXPALLETIZER™



Best-in-Class Palletizing Robot

The ABB IRB 660 palletizing robot is the centerpiece of the Flexpalletizer™ system. The IRB 660 combines superior speed and reach with high payload capacity, making it ideal for palletizing boxes, bags, pails, trays, bottles, and more.

The IRB 660 robot is available in a high-speed 180 kg payload version and a high-payload 250 kg version. It has integrated power, signals, field bus, and air routed to the wrist. The IRB 660's IP67 protection rating makes it robust in even the harshest environments.

ABB IRB 660 advantages

- 3.15M reach
- 180 kg or 250 kg payload
- IP67 protection
- Integrated tooling connections
- Short delivery time
- High uptime and capacity
- Extremely easy operation
- Low maintenance
- Low hourly cost
- Extremely short payoff time
- ABB/CIM SYSTEMS experience and service organization

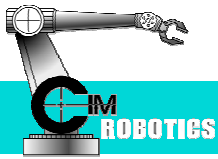


ABB IRB 660 PALLETIZING ROBOT

FLEXPALLETIZER™

Technical Specifications

Specifications:

Robot model	Payload	Reach
660-180/3.15	180 kg	3.15M
660-250/3.15	250 kg	3.15M

Number of axes:	4
Protection class:	IP67
Mounting:	Floor mounted

Maximum Velocity:

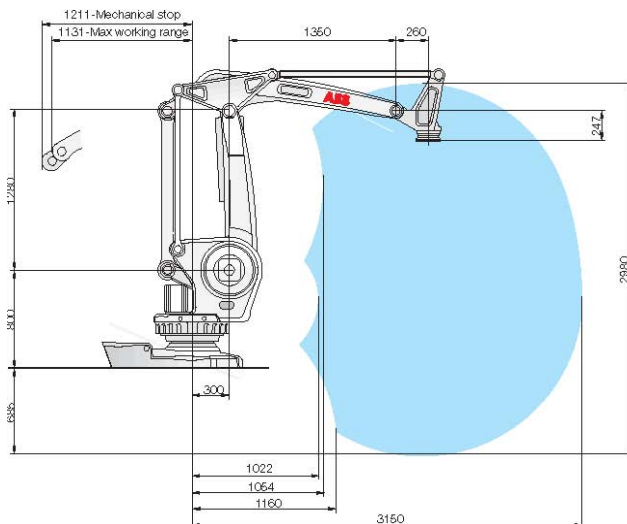
Axis	180 kg	250 kg
Axis 1	130°/s	95°/s
Axis 2	130°/s	95°/s
Axis 3	130°/s	95°/s
Axis 4	300°/s	240°/s

Performance:

Position repeatability:	0.05 mm
Path repeatability:	0.25 mm

Axis movements	Working range
Axis 1 (rotation)	+ 180° to - 180°
Axis 2 (arm)	+ 85° to - 42°
Axis 3 (arm)	+ 120° to - 20°
Axis 4 (wrist)	+ 300° to - 300°

Working Range:



Physical:

Robot Base	1136 x 850 mm
Weight	1,650 kg

Environment:

Ambient temperature	0°C to +50°C
Relative humidity	Max 95%
Noise level	Max 73 dB (A)

Safety:

Double circuits with supervision, emergency stops and safety functions, three-position enabling device.

Load Diagram:

